

EVBox Elvi

home charging solution



From 7.4 to 22 kW

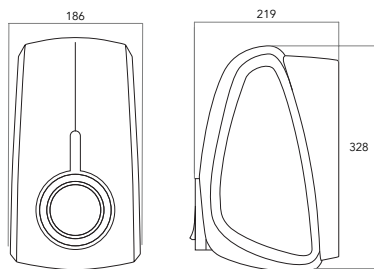
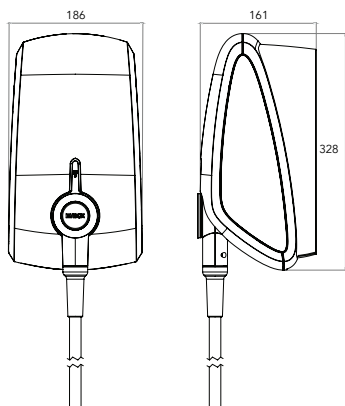
Tracks and invoices charging sessions

Easy to use, install, and upgrade with modular, click-on features

Compatible with every electric car—now and in the future

Best suited for residential use at houses.

Dimensions in mm



Electrical properties

Charging capacity	Upgradable 7.4 –22 kW
Charge mode	Mode 3 (IEC 61851-1)
Number of connectors	1
Connector options	Fixed cable or Socket with Shutter
Connector type	Type 2 (IEC 62196-2)
Fixed cable length	6 m
Connection capacity	Selectable 1-phase or 3-phase, 230–400V, 16 A and 32 A, 50-60 Hz
Secondary power circuit	12 VDC
Relays	2 x 35 A, 2 P, 12 V coil current
Metering	Optional 3-phase S-Bus MID-certified kWh meter in wall dock

Safety and certification

Ground fault detection	6 mA DC CCID
Housing fire ratings	UL94-5VA, US-FMVSS / ISO 3795 passed, DIN 53438 F1/K1
Storage temperature	-35°C to 60°C
Operating temperature	-25°C to +45°C
Operating humidity	Max. 95% non-condensing
Enclosure ratings	IP55, IK10 (IEC 60529)
CE certified	Yes
Compliance	IEC 61851-1, IEC 61851-21-2, CE EMC EU/2014/30, CE Low voltage EU/2014/35, RED EU/2014/53

Connectivity & Installation

Authorization	Autostart / Keyfob / RFID card - controller with RFID reader type Mifare 13.56 MHz
Status indication / HMI	LED ring
WLAN communication	Wi-Fi/ Bluetooth 4.0
Cellular communication	4G LTE (EU) optional
External serial communication	RS485 interface for dynamic load balancing and solar integration (also scheduled charging if supported via the backend)
Charging protocol - Hub	OCPP 1.5 S, 1.6 J
Positioning	GPS (Options) / Wi-Fi
Maximum installation height	+2000 m above sea level

Physical properties

Housing	Polycarbonate
Dimensions (WxHxD)	Fixed cable - 186 x 328 x 161 mm With socket - 186 x 328 x 219 mm
Weight	Station with fixed cable - maximum 7kg (dependent on the cable type) Station with socket - 3kg
Mounting	Wall or pole
Standard colors	Misty Black, Polar White

Note:

EVBox Elvi charging stations can charge at 32 A; however, actual charging capacity is dependent on local environmental conditions and internal temperature build up.

Copyright © 2021 EVBox Manufacturing B.V. Elvi®, EVBox® and the EVBox logo are registered trademarks. All rights reserved. EVBox has compiled this document to the best of its knowledge but does not warrant that all information provided is error-free; EVBox does not accept liability in that respect. All specifications are approximates only. The limited warranty conditions are stated in the applicable EVBox general terms and conditions. EVBPI_ELVI_EN_082021 © EVBox Manufacturing B.V.